



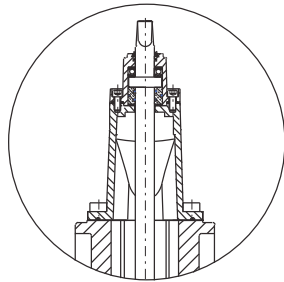
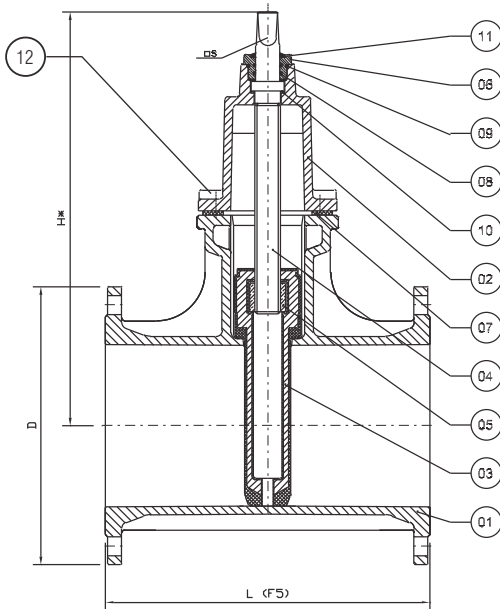
ITALIANA VALVOLE INDUSTRIALI TORINO

Produzione e vendita apparecchiature idrauliche e industriali

Saracinesca a corpo ovale
in ghisa sferoidale cuneo gommato F5

Ductile iron gate valve oval body
resilient seat F5

PN: 10
DN: 40-700



Con cuscinetto reggi-spinta dal DN 250
With bearing from ND 250

MATERIALI		
POS.	DENOMINAZIONE	MATERIALE
1	CORPO	EN-GJS-400-15 o EN-GJS-500-7 UNI EN 1563 - DIN1693
2	CAPPELLO	EN-GJS-400-15 o EN-GJS-500-7 UNI EN 1563 - DIN1693
3	CUNEO	EN-GJS-400-15 o EN-GJS-500-7 UNI EN 1563 - DIN1693 Rivestimenti EPDM o NBR atossico - EN 681
4	ALBERO	ACCIAIO INOX X20 Cr13 EN 14028 - UNI 6900
5	MADREVITE	OTTONE UNI 6398-7013/7
6	BOCCOLA	OTTONE UNI 6398-7013/7
7	GUARNIZIONE	NBR EN 681
8	O-RING	NBR EN 681
9	O-RING	NBR EN 681
10	ANELLO	POLIAMMIDE
11	PARAPOLVERE	NBR EN 681
12	VITERIA	ACCIAIO ZINCATO 8.8

MATERIALS		
POS.	DENOMINATION	MATERIAL
1	BODY	EN-GJS-400-15 o EN-GJS-500-7 UNI EN 1563 - DIN1693
2	BONNET	EN-GJS-400-15 o EN-GJS-500-7 UNI EN 1563 - DIN1693
3	WEDGE	EN-GJS-400-15 o EN-GJS-500-7 UNI EN 1563 - DIN1693 Protection EPDM or NBR - EN 681
4	STEM	STAINLESS STEEL X20 Cr13 EN 14028 - UNI 6900
5	STEM NUT	BRASS UNI 6398-7013/7
6	BUSH	BRASS UNI 6398-7013/7
7	GASKET	NBR EN 681
8	O-RING	NBR EN 681
9	O-RING	NBR EN 681
10	ALLEN BOLT	POLIAMMIDE
11	DUST PROTECTION	NBR EN 681
12	SETScrew	ZINCED STEEL 8.8

DIMENSIONI DI INGOMBRO / DIMENSIONS

DN	Foratura flange Drilling flanges	L	H*	PN	D	ES	Peso / Weight Kg
40	PN10	240	185	16	150	14	8,4
50	PN10	250	205	16	165	14	11
65	PN10	270	270	16	185	17	15,5
80	PN10	280	280	16	200	17	18,5
100	PN10	300	355	16	220	19	24
125	PN10	325	380	16	250	19	31
150	PN10	350	440	16	285	19	43
200	PN10	400	525	16	340	24	71
250	PN10	450	640	16	400	27	114
300	PN10	500	730	16	455	27	172
350**	PN10	550	730	16	505	27	192
400	PN10	600	975	16	565	32	346
450**	PN10	650	975	16	615	32	364
500	PN10	700	1165	16	670	36	530
600**	PN10	800	1165	16	840	36	560
600	PN10	800	1310	16	840	36	1050
700**	PN10	900	1310	16	970	36	1100

H* = Quote indicative / Indicative dimensions; ** Reduced passage