



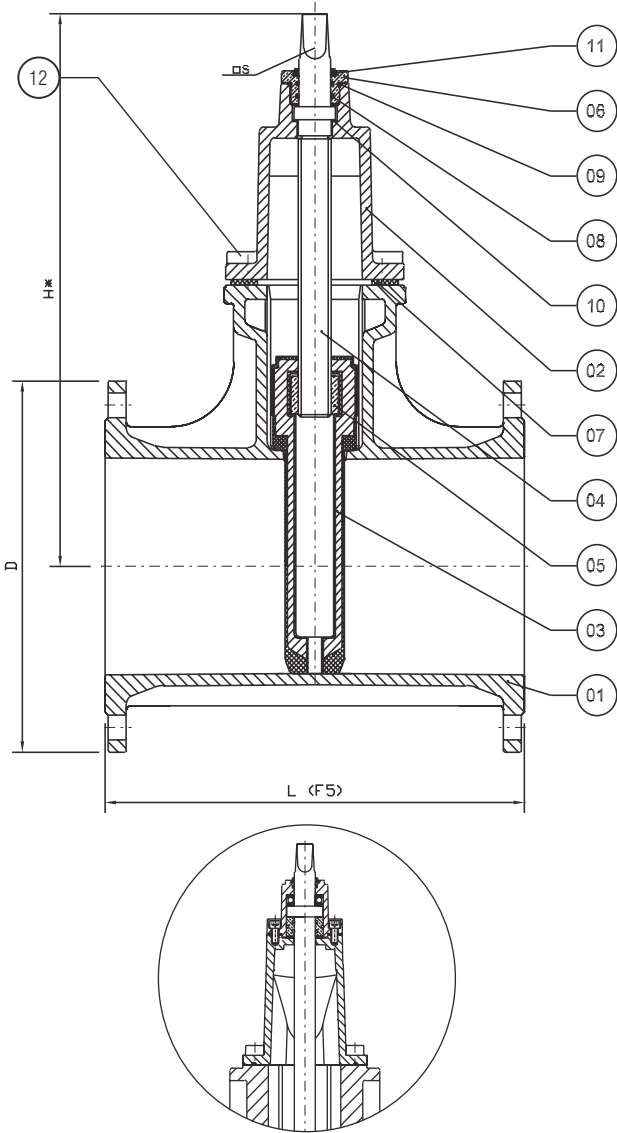
ITALIANA VALVOLE INDUSTRIALI TORINO

Produzione e vendita apparecchiature idrauliche e industriali

Saracinesca a corpo ovale
in ghisa sferoidale cuneo gommato F5

Ductile iron gate valve oval body
resilient seat F5

PN: 25
DN: 40-600



Con cuscinetto reggi-spinta dal DN 250
With bearing from ND 250

MATERIALI		
POS.	DENOMINAZIONE	MATERIALE
1	CORPO	EN-GJS-400-15 o EN-GJS-500-7 UNI EN 1563 - DIN1693
2	CAPPELLO	EN-GJS-400-15 o EN-GJS-500-7 UNI EN 1563 - DIN1693
3	CUNEO	EN-GJS-400-15 o EN-GJS-500-7 UNI EN 1563 - DIN1693 Rivestimenti EPDM o NBR atossico - EN 681
4	ALBERO	ACCIAIO INOX X20 Cr13 EN 14028 - UNI 6900
5	MADREVITE	OTTONE UNI 6398-7013/7
6	BOCCOLA	OTTONE UNI 6398-7013/7
7	GUARNIZIONE	NBR EN 681
8	O-RING	NBR EN 681
9	O-RING	NBR EN 681
10	ANELLO	POLIAMMIDE
11	PARAPOLVERE	NBR EN 681
12	VITERIA	ACCIAIO ZINCATO 8.8

MATERIALS		
POS.	DENOMINATION	MATERIAL
1	BODY	EN-GJS-400-15 o EN-GJS-500-7 UNI EN 1563 - DIN1693
2	BONNET	EN-GJS-400-15 o EN-GJS-500-7 UNI EN 1563 - DIN1693
3	WEDGE	EN-GJS-400-15 o EN-GJS-500-7 UNI EN 1563 - DIN1693 Protection EPDM or NBR - EN 681
4	STEM	STAINLESS STEEL X20 Cr13 EN 14028 - UNI 6900
5	STEM NUT	BRASS UNI 6398-7013/7
6	BUSH	BRASS UNI 6398-7013/7
7	GASKET	NBR EN 681
8	O-RING	NBR EN 681
9	O-RING	NBR EN 681
10	ALLEN BOLT	POLIAMMIDE
11	DUST PROTECTION	NBR EN 681
12	SETSCREW	ZINCED STEEL 8.8

DIMENSIONI DI INGOMBRO / DIMENSIONS

DN	Foratura flange Drilling flanges	L	H*	PN	D	ES	Peso / Weight Kg
40	PN25	240	185	25	150	14	8,5
50	PN25	250	205	25	165	14	11,5
65	PN25	270	270	25	185	17	16
80	PN25	280	280	25	200	17	19
100	PN25	300	355	25	220	19	25
125	PN25	325	380	25	250	19	33
150	PN25	350	440	25	285	19	45
200	PN25	400	525	25	340	24	75
250	PN25	450	640	25	400	27	124
300	PN25	500	730	25	455	27	180
350	PN25	550	730	25	505	27	220
400	PN25	600	975	25	565	32	400
450	PN25	650	975	25	615	32	450
500	PN25	700	1165	25	670	36	630
600	PN25	800	1310	25	840	36	1300

H* = Quote indicative / Indicative dimensions; ** Reduced passage