



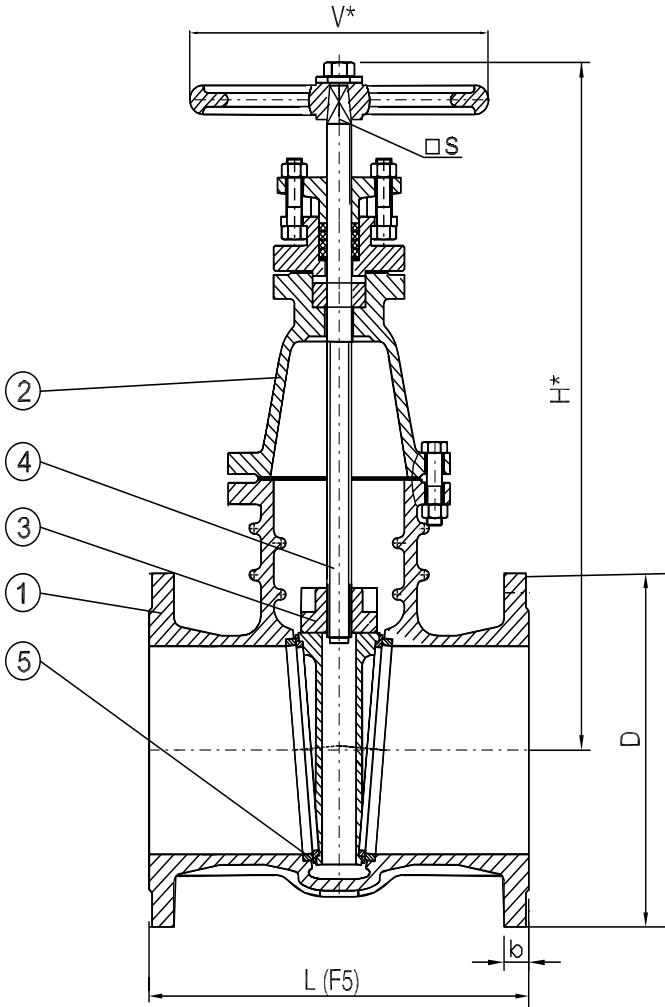
# ITALIANA VALVOLE INDUSTRIALI TORINO

Produzione e vendita apparecchiature idrauliche e industriali

Saracinesca a corpo ovale in ghisa - vite interna

Cast iron gate valve oval body - non-rising stem

PN: 16  
DN: 40-600



### MATERIALI

POS.	DENOMINAZIONE	MATERIALE
1	CORPO	GJL-250 (GJS-400-15)
2	COPERCHIO	GJL-250 (GJS-400-15)
3	CUNEO	GJL-250 (GJS-400-15)
4	STELO DI MANOVRA	ACCIAIO INOX X20 Cr13
5	SEDI DI TENUTA	OTTONE CuZn39 Pb2

### MATERIALS

POS.	DENOMINATION	MATERIAL
1	BODY	GJL-250 (GJS-400-15)
2	BONNET	GJL-250 (GJS-400-15)
3	WEDGE	GJL-250 (GJS-400-15)
4	STEM	STAINLESS STEEL X20 Cr13
5	SEAT	BRASS CuZn39 Pb2

### DIMENSIONI DI INGOMBRO / DIMENSIONS

DN	Foratura flange Drilling flanges	L	H*	PN	D	b	V*/ES	Peso /Weight Kg
40	PN16	240	255	16	150	18	160/12	15
50	PN16	250	263	16	165	20	160/12	19
65	PN16	270	287	16	185	20	160/12	27
80	PN16	280	310	16	200	22	160/12	31
100	PN16	300	358	16	220	22	200/14	41
125	PN16	325	400	16	250	24	250/17	52
150	PN16	350	430	16	285	24	250/17	66
200	PN16	400	598	16	340	26	315/19	125
250	PN16	450	675	16	405	28	400/24	200
300	PN16	500	755	16	460	28	400/24	270
350	PN16	550	927	16	520	30	500/27	351
400	PN16	600	985	16	580	32	500/27	500
500	PN16	700	1104	16	715	34	600/32	730
600	PN16	800	1286	16	840	36	600/32	1100

H\*-V\* = Quote indicative / Indicative dimensions