



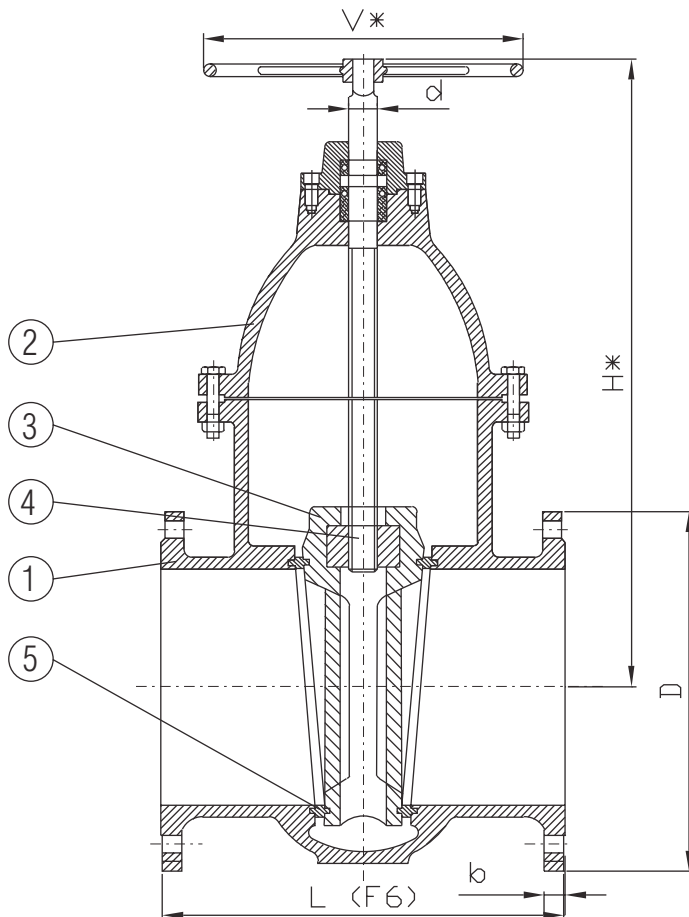
# ITALIANA VALVOLE INDUSTRIALI TORINO

Produzione e vendita apparecchiature idrauliche e industriali

Saracinesca a corpo cilindrico in ghisa sferoidale - vite interna

Ductile iron gate valve cylindrical body non-rising stem

PN: 40  
DN: 40-600



MATERIALI		
POS.	DENOMINAZIONE	MATERIALE
1	CORPO	GJS-400-15
2	COPERCHIO	GJS-400-15
3	CUNEO	GJS-400-15
4	STELO DI MANOVRA	ACCIAIO INOX X20 Cr13
5	SEDI DI TENUTA	OTTONE CuZn39 Pb2

MATERIALS		
POS.	DENOMINATION	MATERIAL
1	BODY	GJS-400-15
2	BONNET	GJS-400-15
3	WEDGE	GJS-400-15
4	STEM	STAINLESS STEEL X20 Cr13
5	SEAT	BRASS CuZn39 Pb2

DIMENSIONI DI INGOMBRO / DIMENSIONS								
DN	Foratura flange Drilling flanges	L	H*	PN	D	b	V* / ES	Peso / Weight Kg
40	PN40	240	280	40	150	19	200/16	21
50	PN40	250	290	40	165	19	225/17	27
65	PN40	270	330	40	185	19	280/19	40
80	PN40	280	350	40	200	19	280/19	45
100	PN40	330	400	40	235	19	320/19	68
125	PN40	360	460	40	270	19	360/24	90
150	PN40	390	520	40	300	20	360/24	120
200	PN40	460	630	40	375	22	400/27	190
250	PN40	530	730	40	450	25	500/27	222
300	PN40	630	840	40	515	28	640/32	370
350	PN40	690	940	40	580	30	640/32	467
400	PN40	750	1070	40	660	32	720/36	650
500	PN40	880	1260	25	755	36	800/41	1123
600	PN40	1000	1480	25	890	42	800/41	1685

H\*-V\* = Quote indicative / Indicative dimensions